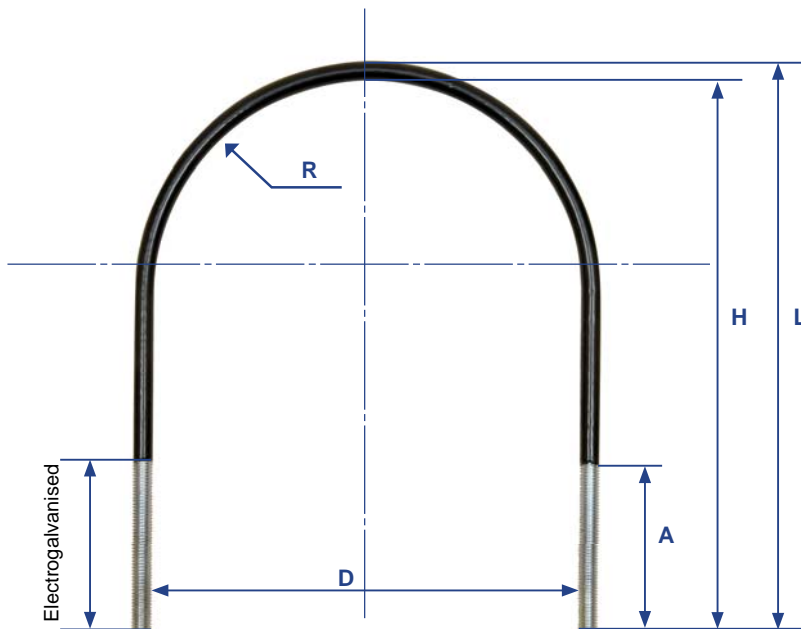


Electrogalvanised steel with an 800-micron black Polyamide coating. M10 thread



| ALK Ref. | Tank Diameter = D | R | A | H | L |
|-----------|------------------------------|-----|-----|-----|-----|
| 75.100.00 | 100 | 50 | 90 | 185 | 195 |
| 75.150.00 | 150 | 75 | 90 | 210 | 220 |
| 75.200.00 | 200 | 100 | 90 | 270 | 280 |
| 75.206.00 | 206 | 103 | 85 | 276 | 286 |
| 75.246.00 | 246 | 123 | 85 | 316 | 326 |
| 75.250.00 | 250 | 125 | 55 | 290 | 300 |
| 75.250.02 | 250 | 125 | 95 | 330 | 340 |
| 75.275.00 | Replaced by 75.276.00 | | | | |
| 75.276.00 | 275 - 276 | 138 | 85 | 346 | 356 |
| 75.300.00 | 300 | 150 | 70 | 360 | 370 |
| 75.300.01 | 300 | 150 | 50 | 337 | 347 |
| 75.300.02 | 300 | 150 | 40 | 275 | 285 |
| 75.300.03 | 300 | 150 | 130 | 400 | 410 |
| 75.310.00 | 310 | 155 | 82 | 372 | 382 |
| 75.310.01 | 310 | 155 | 57 | 347 | 357 |
| 75.320.00 | 320 | 160 | 60 | 360 | 370 |
| 75.350.00 | 350 | 175 | 95 | 415 | 425 |
| 75.396.00 | 396 | 198 | 85 | 466 | 476 |
| 75.400.00 | 400 | 200 | 110 | 496 | 506 |

Dimensions in millimetres

D = External Diameter of the Tank in mm