

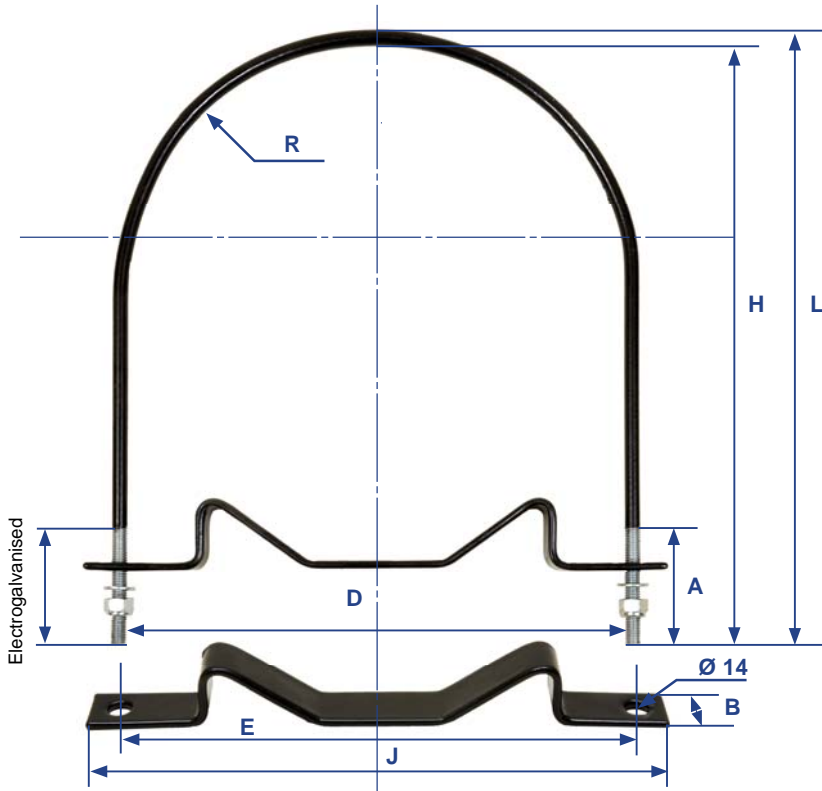
STANDARD "V-shaped" Clamps

STEEL

"U": Electrogalvanised 10mm steel with an 800 micron black polyamide coating. M10 screw thread.

Support: 4mm-thick steel with an 800 micron black polyamide coating, with a 14mm hole at each end.

"V-shaped" clamp sold individually, not assembled, in a plastic bag:
1 "U" + 1 Support + 2 Nylstop M10 nuts + 2 flat washers.



ALK Ref.	Tank Diameter = D	R	A	B	E	H	J	L
84.206.00	206	103	80	30	218	265	255	275
84.246.00	246	123	80	30	258	315	292	325
84.276.00	276	138	80	30	288	351	320	361
84.296.00	296	148	80	30	308	363	342	373
84.310.00	310	155	80	30	323	376	357	386
84.360.00	360	180	80	30	372	425	407	435
84.396.00	396	198	80	30	409	455	444	465

Dimensions in millimetres
D = External Diameter of the Tank in mm