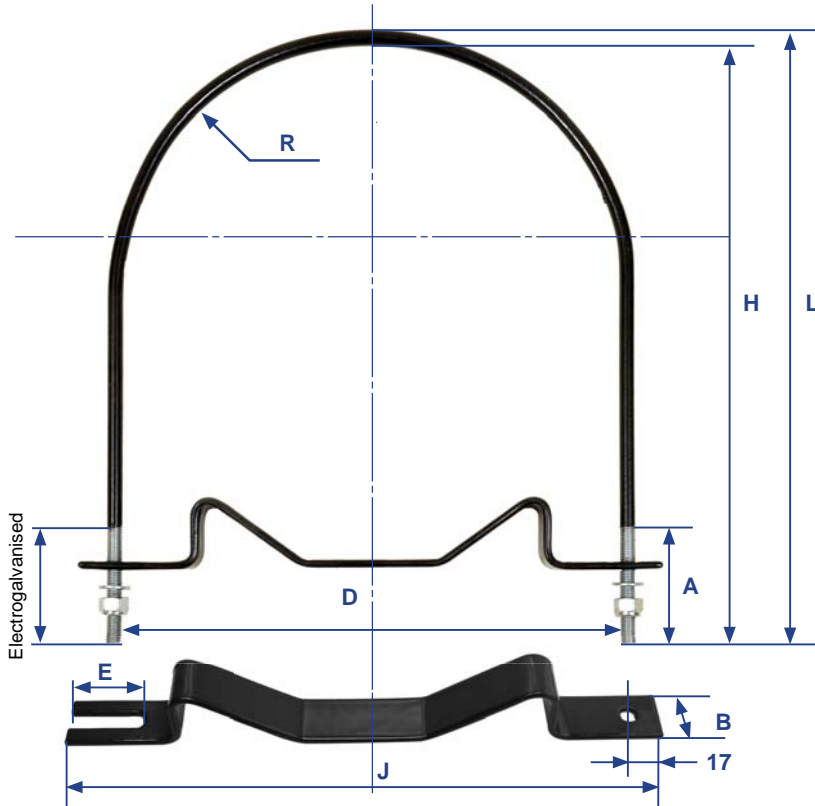


"U": Electrogalvanised steel with an 800 micron black polyamide coating.

- "U" M8 for ALUMINIUM tanks
- "U" M10 for STEEL tanks

Support: 4mm-thick steel with an 800 micron black polyamide coating, with a slot at one end and a hole at the other. **"V-shaped" clamp** sold individually, not assembled, in a plastic bag: 1 "U" + 1 Support + 2 Nylstop nuts + 2 flat washers .



ALK Ref "U" M8	ALK Ref. "U" M10	Tank Diameter = D	R	A	B	E	H	J	L
71.206.00	72.206.00	206	103	80	30	35	265	255	275
71.246.00	72.246.00	246	123	80	30	38	315	292	325
71.276.00	72.276.00	276	138	80	30	40	351	320	361
71.296.00	72.296.00	296	148	80	30	43	363	342	373
71.310.00	72.310.00	310	155	82	30	45	372	357	382
71.310.01	72.310.01	310	155	57	30	45	347	357	357
71.360.00	72.360.00	360	180	80	30	45	425	407	435
71.396.00	72.396.00	396	198	80	30	45	455	444	465

Dimensions in millimetres

D = External Diameter of the Tank in mm